

PYRO FIRE CUSTOM WALL SCREEN ORDER FORM



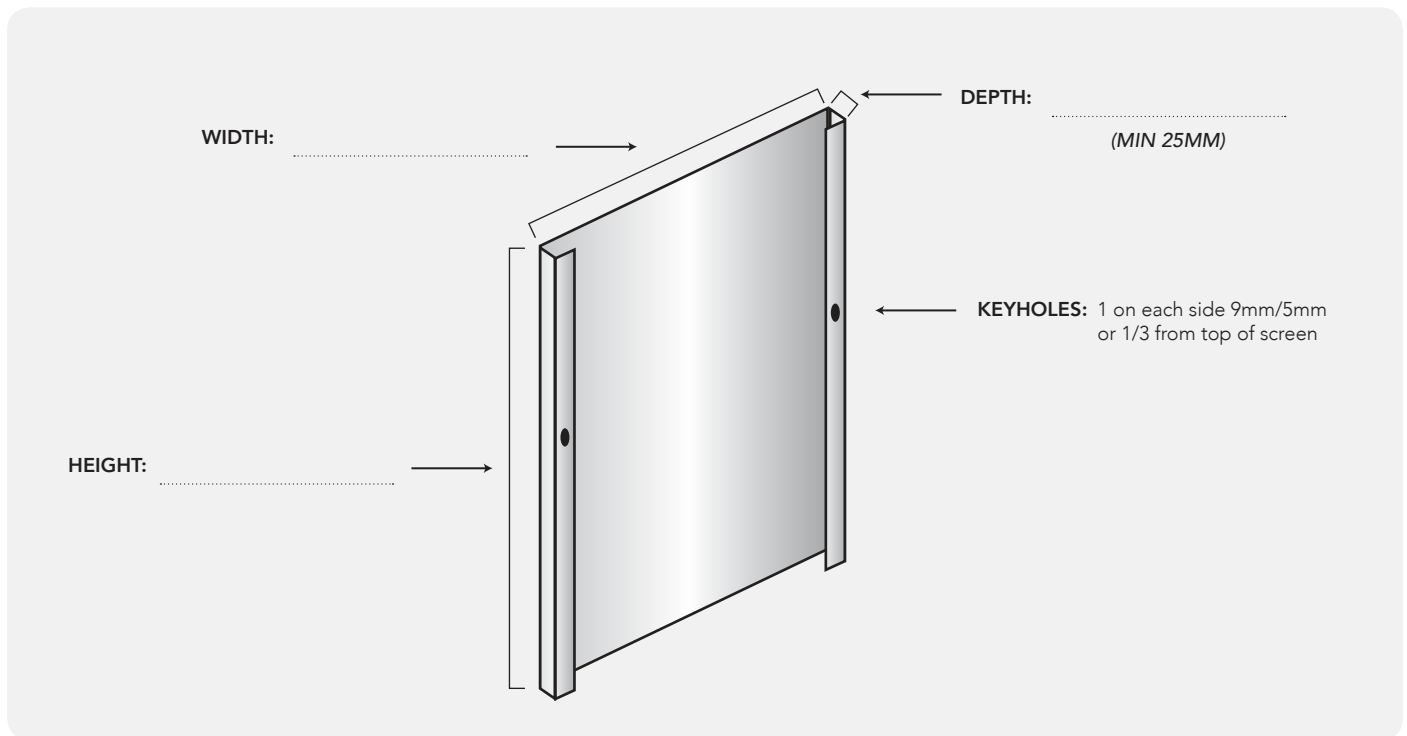
PURCHASE ORDER

Purchase Order Date:

Purchase Order Number:

Reference:

Colour:



QUANTITY REQUIRED

Please quote price and approximate deliver time

PRICE excluding GST

APPROX DELIVERY TIME