



## INSTALLATION INSTRUCTIONS FOR PYRO FIRES **150MM STANDARD ECO FLUE KIT 4.2M**

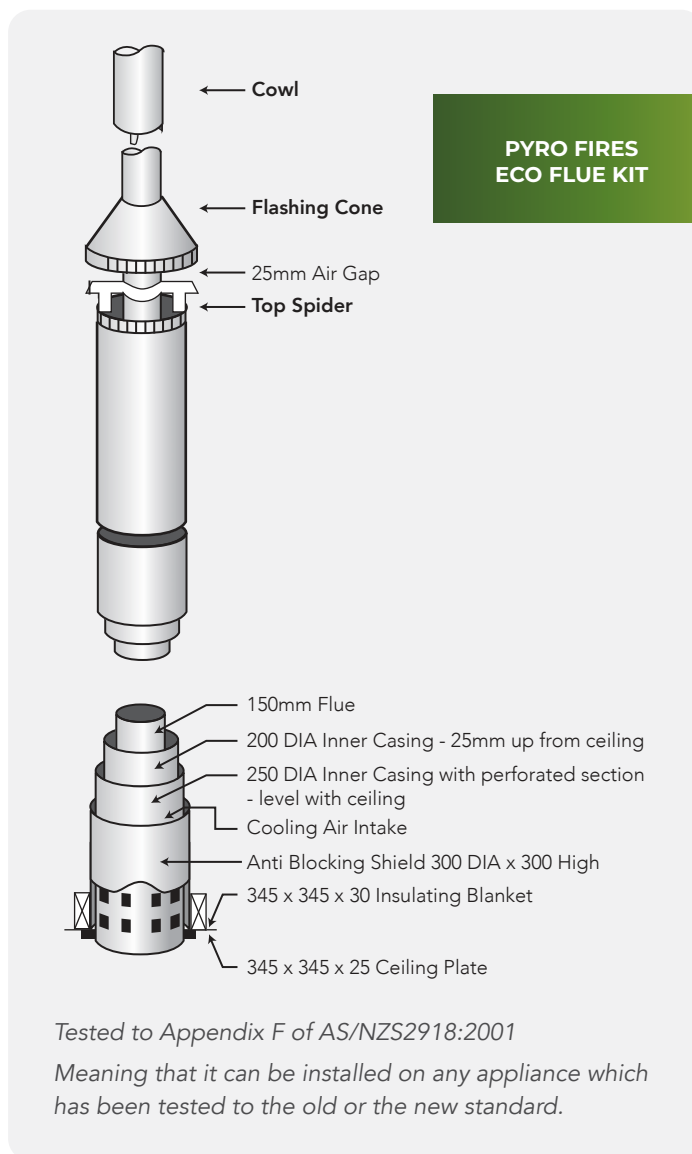
### COMPRISING:

- 1 Stainless Steel Flue Pipe 150 x 610mm
- 1 Stainless Steel Flue Pipe 150 x 1220mm
- 2 Stainless Steel Flue Pipe 150 x 1220mm
- Painted Hi Therm Flues
- 1 Galvanised Outer Casing 250 x 1200mm with Perforated Section
- 1 Anti-Blocking Shield 300 x 300mm
- 1 Stainless Steel Pyroclassic Cowl
- 1 Stainless Steel Flashing Cone
- 1 Stainless Steel Spreader
- 1 Packet of Screws
- 1 Ceiling Plate with Insulation Blanket
- 1 Galvanised Slip Joint 900mm

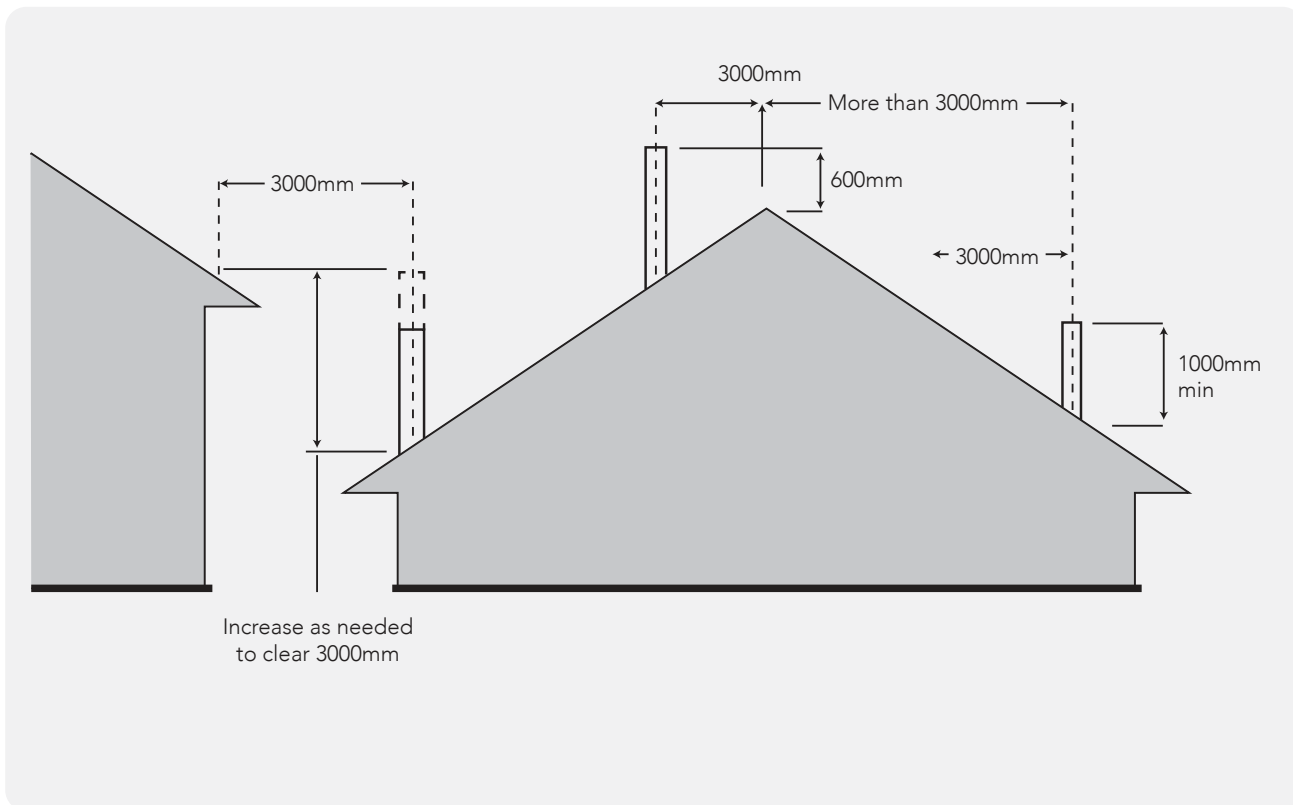
## INSTALLATION

**These instructions are to be read before installation and used in conjunction with the heating appliance manufacturer's installation instructions.**

1. Position heater on floor protector in accordance with the correct clearances and manufacturers specifications.
2. Mark the penetration centre in the ceiling and roof using a plumb line.
3. Cut a 300mm square hole in the ceiling and trim with noggins to support outer casing.
4. Cut a 250mm diameter hole in the roofing material and trim back all combustible material within 25mm from its opening.
5. Fix anti-blocking shield on 4 tangential contact points with the fixing tags down and the shield bottom edge level with the ceiling.
6. Fit outer liner with perforations into the blocking shield, hold the bottom edge level with the ceiling.
7. Fix appropriate flashing around liner to seal on the roof material.



8. Assemble the flue section ensuring that all seams are inline.
9. Fit inner liner, ensure that the spacer brackets rest on the swage in the outer liner. Bottom edge should be 25mm up from ceiling level.
10. Place ceiling plate on top of heater with edge up and lay insulation blanket into position.
11. Fit flue with crimped and swaged end down into position. Flue must be extended 200mm above outer liner for correct fitting of flashing cone and cowl. Extra sections of flue and liners may be added to achieve the correct clearance above the roof.
12. Fit top spacer and tighten. Slide flashing cone over the flue and fit the and cowl. Do not fasten cowl to facilitate removal for cleaning.
13. Fix ceiling plate with screws provided. No spacers required between ceiling tile and ceiling.



### FIXING FLUE TO THE FIRE

Sealant is not required as this joint has a 105mm restrictor hole. If sealant must be used, apply sparingly to inside of spigot to avoid sealant overflowing.

### RECOMMENDATIONS

We recommend that this product is installed by a registered installer.

This product has sharp edges and gloves must be worn during installation.

The wood used in conjunction with the flue must be dry and untreated.

***We strongly recommend having your flues swept by a professional chimney sweep before the first use each season.***

**CAUTION:** Mixing of flue system components from different sources or modifying the dimensional specifications of components may result in hazardous conditions. Where such action is considered the manufacturer should be consulted.

**WARNING: the appliance and flue system shall be installed in accordance with AS/NZS2918:2001 and the appropriate requirements of the relevant building code or codes.**

The flue pipe shall extend not less than 4.6m above the top of the floor protector

The flue cowl must be at least 600mm above the highest point of the roof if within 3 metres of ridge, or 1 metre above the roof penetration if more than 3 metres from the ridge

No part of the building, or any adjacent building may be in or above a circular area of a horizontal radius of 3 metres.